

COBRA PLUS

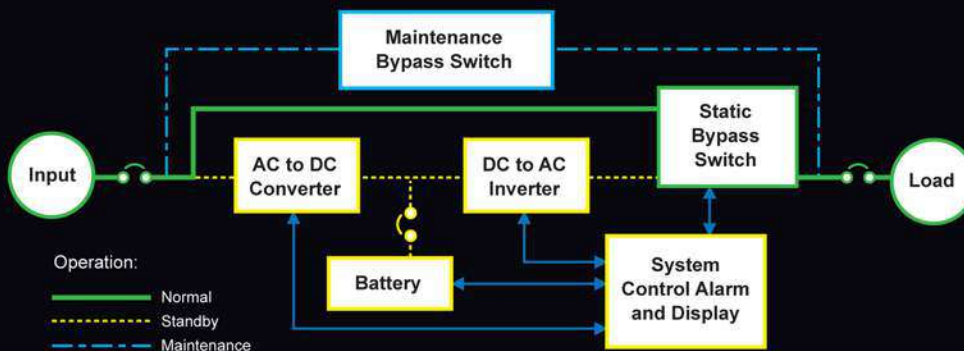
STAND-BY EMERGENCY LIGHTING INVERTER

KEEP THE LIGHTS "ON" WHEN YOU NEED THEM THE MOST

SINGLE PHASE 2.4 KW - 4.2 KW

Defends your environment against unwanted power outage and electrical disturbances by providing:

- DSPM Watchdog software always on guard.
- Display monitor keeps you in control 24/7.
- Dependable DSP/PWM technology for unsurpassed reliability.
- Economical for the lowest overall cost for your light safety with an Energy Star Rating.
- Temperature compensating technology that controls batteries for the longest battery life.
- Sealed maintenance-free batteries.
- Full light output for entire 90 minutes.
- Self-diagnostics for a safe and secure lighted environment.
- Pure sine wave output for all types of lamps.
- ECM module is a patented technology used by DSPM.
- Backup solutions for multiple applications such as: indoor and outdoor emergency lighting, exits, cash registers, computers, strategic electronics, and more!
- 10 Year pro-rated battery warranty.
- 5 Year power train warranty.
- Listed to UL924, UL1778, and UL508.
- Cities of Chicago, Los Angeles and New York approved.
- Complies with the Buy American Act.



DSPM INC.
DIGITAL SIGNAL POWER MANUFACTURER
www.dspmanufacturing.com

1921 S. Quaker Ridge Place
Ontario, CA 91761
1.877.DSPM POWER
1.877.377.6769
Fax: 909.930.3335



COBRA PLUS

STAND-BY EMERGENCY LIGHTING INVERTER

KEEP THE LIGHTS "ON" WHEN YOU NEED THEM THE MOST

SINGLE PHASE 2.4 KW - 4.2 KW



2.4, 2.6, 3.0, 3.4, 3.8, and 4.2 KW.....Standard Power Levels
 120, 208, 240, 277 or 480 VAC.....Input Voltage
 +10% -15%.....Input Voltage Range
 120, 277, 480, 120/240 or 120/277 VAC.....Output Voltage
 ±3% for all loads and battery discharge mode.....Output Voltage Regulation
 60 Hz, ±1%.....Output Frequency Range
 Sine-wave <5% @ 100% linear load.....Output Wave Form
 2.5:1 typical.....Crest Factor
 Input Main Circuit Breaker.....Input Protection
 Output Main Circuit Breaker.....Output Protection
 The unit will protect itself and the load.....Surge Protection
 against surges as defined in
 ANSI/IEEE C62.45 Category A and B
 Sealed maintenance-free (AGM) lead calcium.....Battery
 Conforms to UL924 standards.....Recharge Current
 Provision for hardware connection of.....External Battery
 external battery cabinets or DC source
 ≥99% at 100% linear load.....Efficiency
 <45dB measured on Response Curve "A".....Audible Noise
 UL924 and UL1778.....ETL Listed
 0° to 40°C (32° to 104°F).....Operating Temperature
 -20° to 60°C (-4° to 140°F).....Storage Temperature
 5 - 95%, Non-condensing.....Humidity

Options:

- ECM - Environmental Control Module
- NOF - Normally OFF Circuit
- NOH - Normally OFF "Hold On"
- OCB - Output Circuit Breker(s)
- EPO - Emergency Power Off
- RSSP - Remote Indicator Panel
- SNMP - SNMP Card
- FC - Form C Contacts
- SRB - Seismic-Rated Bracket
- STU1 - Onsite Startup
- IDB - Internal Dimmer Bypass
- EMB - External Maintenance Bypass
- EW - Extended Warranty

Defender Plus Series	Power Rating	UPS Cabinet Dimensions			Weight (lbs)
		W	H	D	
DPLUS (Consult factory for others)	KVA/KW	W	H	D	(lbs)
	2.4	26"	44"	26"	700
	2.6	26"	44"	26"	700
	3.0	26"	44"	26"	800
	3.4	26"	44"	26"	800
	3.8	26"	44"	26"	800
4.2	26"	44"	26"	920	



Represented By:

1921 S. Quaker Ridge Place
 Ontario, CA 91761
 1.877.DSPM POWER
 1.877.377.6769
 Fax: 909.930.3335