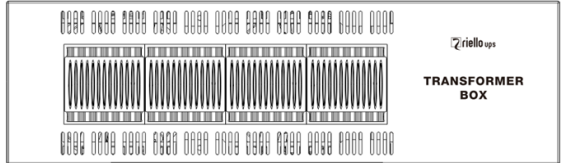
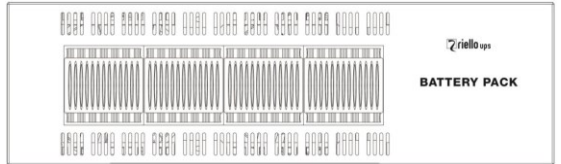


2U



3U

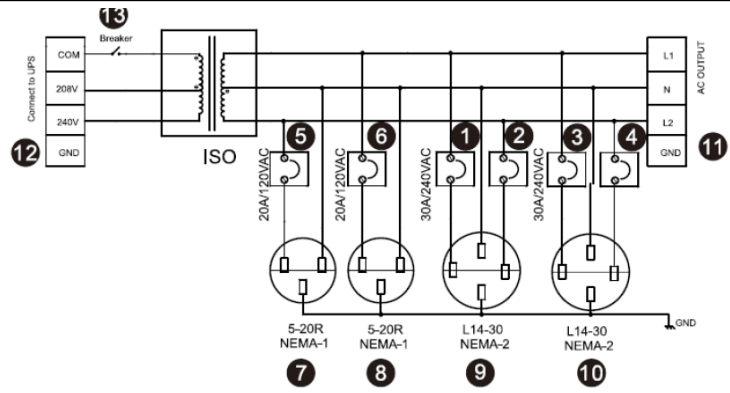
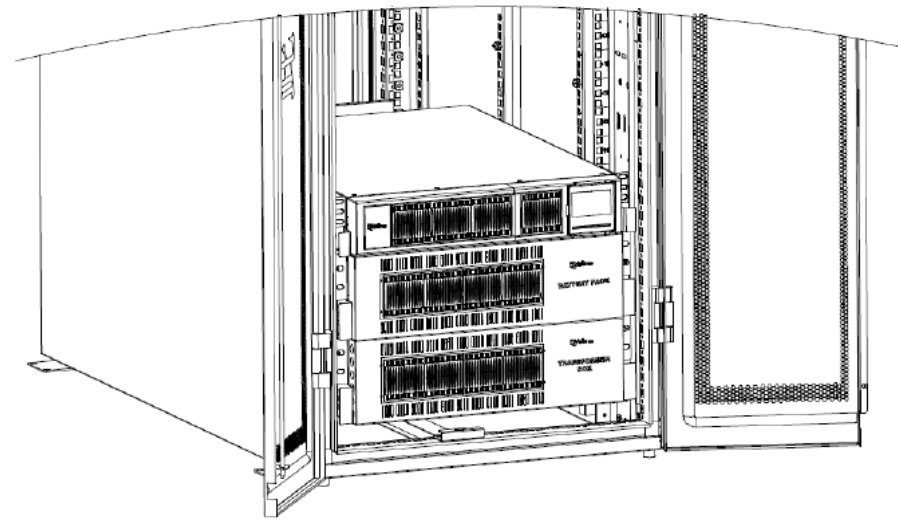
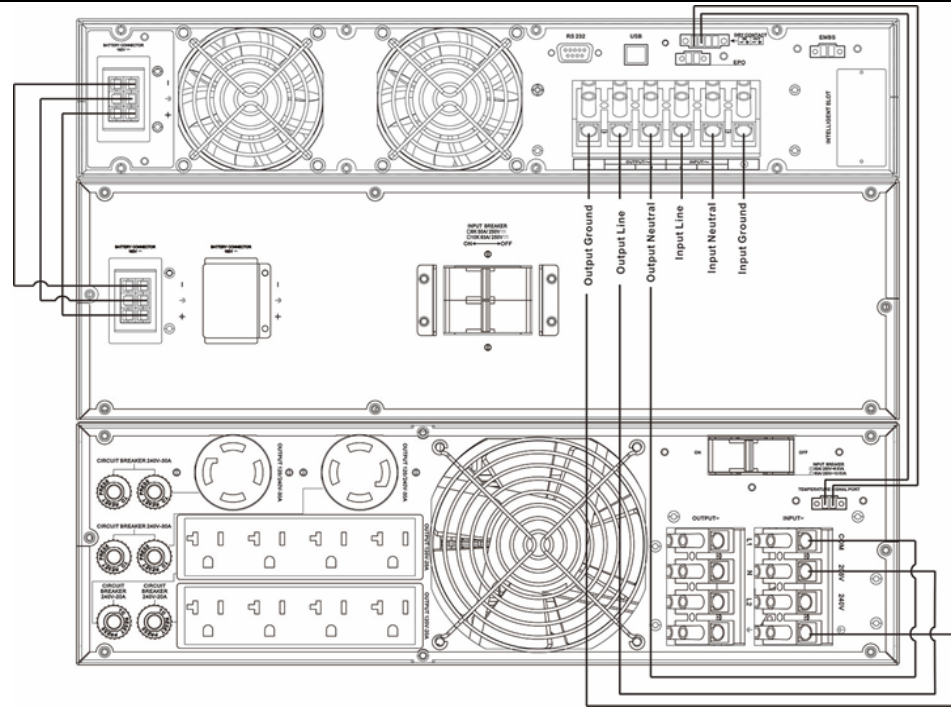


3U

Transformer Tap location	208V Tap	208V Tap
UPS Inverter Output Voltage	208V	220V
Transformer output voltage	240V/120V+120V	260V/130V+130V

Transformer Tap location	240V Tap	240V Tap
UPS Inverter Output Voltage	240V	230V
Transformer output voltage	240V/120V+120V	230V/115V+115V

Dimensions W x D x H		6Kva	10Kva
UPS Box	Inch	17.2" x 24" x 3.4"	
Transformer Box	Inch	17.2" x 25.4" x 5.2"	17.2" x 28.5" x 5.2"
Battery Box	Inch	17.2" x 23.9" x 5.1"	



<https://www.rielloupsamerica.com>

TITLE:	6-10kVA Rack UPS		
			SHEET # 1 of 1
By	CHECKED	DATE	DRAWING
T.H	T.Harber	12-3-20	XXX-OR01